

# VERTICAL BLINDS



## Fitting Instructions

January 2017

If installing on plaster or wallboard, pick up timber stud where possible. If unable to locate stud, use a suitable wall plug or toggle for plasterboard to hold the brackets.

### Face Fix Installation

Screw the brackets to the face of the architrave, evenly spaced to properly support the weight of the blind. The face fix brackets can be adjusted forwards and backwards to achieve the desired position. The 75 mm bracket is for 89 & 100 mm slats and the 102 mm bracket is for the 127 mm slat.

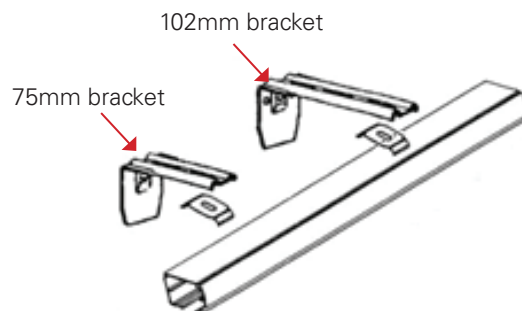
Position the clips so the longer tag of the clips is facing away from the curved face (clip only fits one way). Latch on the hook end of the clip and then press down on the tab end to click in place.



Track with Fabric Insert forward.



Track with Curved face forward



### Recess Fix Installation

Screw the clips to the ceiling of the recess in the desired position, evenly spaced to properly support the weight of the blind. Make sure the longer tag of the clips is facing away from the curved face (clip only fits one way). Latch on the hook end of the clip and then press down on the tab end to click in place.

Attach the Slats to the Track before attaching slats, rotate the carrier hooks fully in both directions, and set the hooks in the OPEN (90° to track) position ready for receiving the slats. The slats come with the bottom chains already joined. Unroll the slat making sure you keep them together. Clip your first slat to your first carrier hook. This will be one of the outside slats and one of the end carrier clips. Attach the next slat in order to the next clip in order. Repeat this process until all slats are attached to the track. Draw the blind fully closed and fully opened to ensure the carriers operate smoothly. If the first carrier is dislodged, draw the carriers fully back - this should re-engage the first carrier back to the carrier stopper.

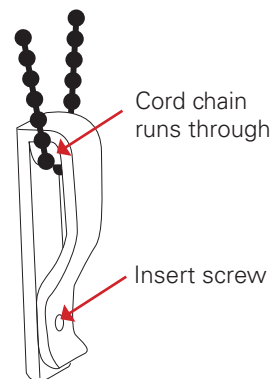
**Note: Make sure that the blades are in the 'OPEN' position when the blind is being drawn open or closed. Failure to do so may cause damage to the blind or restrict its operation.**

### How to install the Cord Tension device

The Tension Device reduces the chance of strangulation by limiting access to the control cord or chain. When fitted properly it should hold any looped controls firmly tensioned against a wall or window frame. This should make it hard for a young child to fit through the controls.

Clip the cord through the bottom of the Tension Device. Position the Tension Device on the window frame or architrave in a position that will not compromise the operation of the control cord. Make sure the controls are not twisted when the Tension Device is in the mounting position.

Ensure that there is SUFFICIENT TENSION on the cord – however excessive tension will impair smooth operation of the blind. Hold the Tension Device in the correct position, as shown. Insert and secure the screw through hole. Make sure the screw is affixed into the architrave or window frame (solid material like MDF or Hardwood).



### WARNING

WARNING: Young children have died by wrapping loose curtain and blind cords or chains around their necks. Secure cords or chains with cord guides or keep them out of reach by winding them around a cleat. Move cots and furniture away from window covering cords or chains. Do not remove this label.

